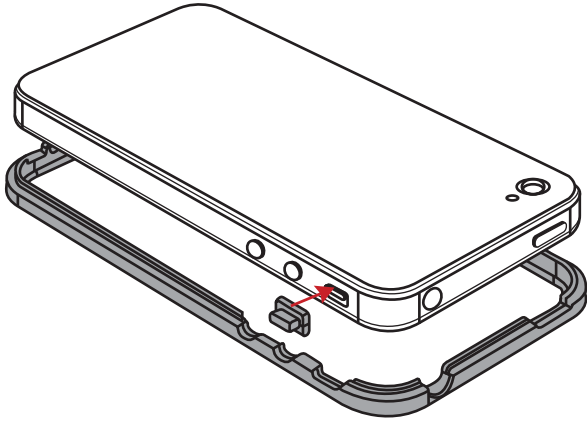


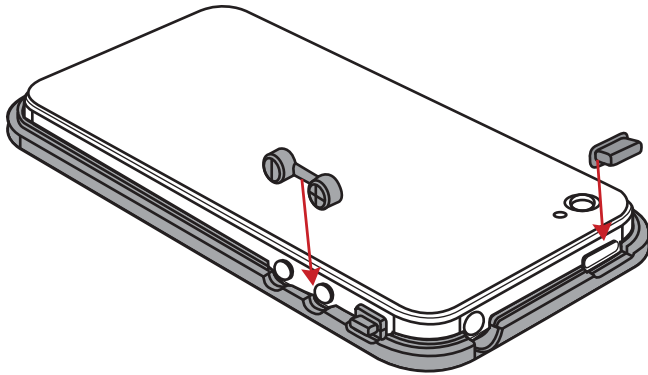


JETT

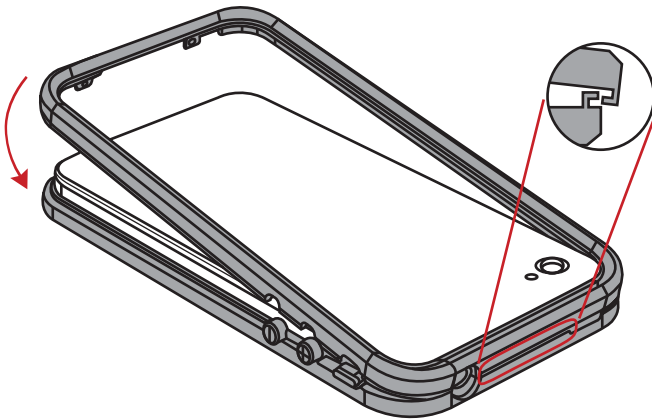
Step-by-step instructions to better your experience.



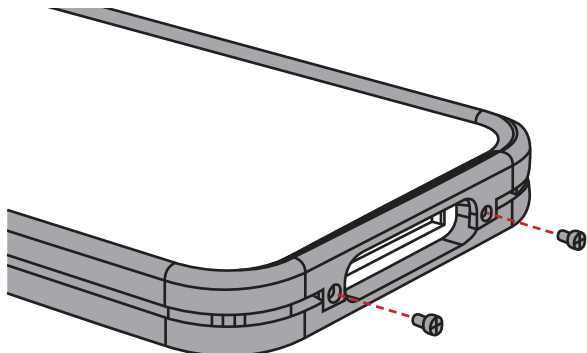
1) Lay the front piece of the Jett flat on a solid surface. With the screen facing down, secure the bottom of your iPhone into the case. Slide the ring/vibrate cover over the ring/vibrate switch, and then secure the top part of the iPhone into place.



2) Place the on/off switch cover and volume cover onto their designated buttons, making sure they are properly covering the iPhone's buttons.



3) Attach the back piece of the Jett. Align the top of the case first by hooking the two pieces together, and then slide the bottom into place.



4) Using the included screwdriver and screws, attach the two screws into the bottom of the case. Fasten the screws until they no longer turn.